



User Manual

Bottle Jack 8 ton

type BJ08H



Read this manual carefully before using the bottle jack.

Table of contents**Page**

1	Saving the user manual	3
1.1	Symbols	4
2	General description	5
3	Environment & disposal	5
4	Safety regulations	5
5	Specifications	6
6	Operation	6
6.1	Lifting the vehicle	6
6.2	Lowering the vehicle	6
7	Inspection	6
8	Maintenance	7
9	Check oil level	7
10	Troubleshooting	7
10.1	Bleeding the system	7
10.2	Troubleshooting - overview	8
11	Parts	8
11.1	Parts list	9
12	Warranty conditions	10
13	EC Declaration	11

1. Saving the user manual

Keep this user manual carefully. The information in this document may be required for installation, use, maintenance, or troubleshooting. Always keep the manual accessible for future reference. This user manual contains important safety instructions and legal information. Retain the document for the entire lifespan of the product. Always include the manual when the product is resold, transferred, or moved. It is mandatory to keep this user manual in a centrally accessible location. Employees working with this product must have access to the most recent version of this documentation at all times.



© 2026 Mammuth. All rights reserved. No part of this publication may be reproduced, stored in an automated data file, or made public in any way without the express prior written permission of the publisher, except as provided by law.

1.1 Symbols



Read the user manual before use.



Ensure that the wheels of the vehicle are blocked with wheel blocks.



Support the vehicle with an axle stand after it has been jacked up.



It is prohibited to modify the design of the jack or to make mechanical adjustments.



Do not work under the vehicle if it is supported only by a jack.



Do not work on a sloping or uneven surface. Use the jack only on a level surface.



Ensure that the center of gravity of the load is always evenly distributed on the bearing surface of the jack.

2. General description

The welded bottle jack is a hydraulic lifting device for safely lifting vehicles or heavy loads within the specified capacity. It operates by means of manual pumping movements that build up hydraulic pressure to lift the load. The device is intended exclusively as a lifting aid and requires use on a stable, level surface and compliance with the prescribed safety instructions.

3. Environment & disposal

Disposal of this product and any hydraulic oil must comply with applicable local and national environmental legislation. Oil leaks must be immediately contained and disposed of as chemical waste. Parts and materials must be separated and processed in accordance with legal regulations.

4. Safety regulations

- Read, understand, and follow all instructions before using this device.
- Do not exceed the maximum capacity.
- Use only on hard, flat surfaces with a slope of less than 3 degrees.
- Lifting device only. Support the vehicle immediately after lifting with suitable means.
- Do not move the vehicle while it is on the jack.
- Lift only at the points indicated by the vehicle manufacturer.
- Do not make any changes to this product.
- Use only fittings and/or adapters supplied by the manufacturer.
- Do not go under the vehicle and do not let anyone go under the vehicle until it is supported by axle stands.
- Center the load on the support plate before lifting.
- Use wheel blocks or other blocking on the opposite wheels before using the jack.
- Never use on a ride-on mower or garden tractor.
- Use this jack only for the use specified by the manufacturer.
- It is not recommended to support the following with this equipment: foundations, houses, mobile homes, trailers, campers, caravans, or semi-trailers.
- Failure to follow these instructions may result in personal injury and/or property damage.
- Lifting people is prohibited.
- The user must have a clear view of the lifting device and the load during all movements.
- Do not work under a raised load until it is adequately secured.
- Check the condition of the markings and ensure that they remain intact.
- Jacks must be maintained and repaired according to the manufacturer's instructions. This must be carried out by qualified personnel.
- In case of oil leakage: stop use and absorb the oil with a cloth.
- If the jack cannot be lowered as desired, the vehicle must be secured with axle stands against unintentional lowering.
- Use another jack to lift the vehicle so that the defective jack can be removed. Consult a professional if in doubt.
- Modifying, adjusting, or removing the pressure relief valve of the bottle jack is strictly prohibited.

5. Specification

- Capacity • 8 ton
- Safe operating temperature • -20°C – 50°C
- Type of oil • Hydraulic oil - CH32
- Min. height (mm) • 226
- Max. height without spindle (mm) • 384
- Cylinder stroke (mm) • 158
- Max. height with spindle (mm) • 464
- Spindle stroke (mm) • 80
- Net weight (kg) • 4.8

6. Ministry

6.1 Lifting the vehicle

1. Ensure that the jack and the vehicle are on a hard, flat surface.
2. Always apply the handbrake and lock the wheels.
3. Consult the vehicle's manual for the correct jacking points and position the jack under the indicated lifting point.
4. Close the relief valve by turning it clockwise. **DO NOT TIGHTEN TOO MUCH!**
5. To lift the vehicle, place the handle in the holder and pump it up and down.
6. Immediately after lifting, place suitable axle stands under the vehicle. Never go under a vehicle that is supported only by the jack. Jacks are not designed to bear heavy loads for extended periods. Do not place stands under both ends of the vehicle simultaneously, nor under only one side.
7. Slowly turn the relief valve counterclockwise to lower the load onto the axle stands.

6.2 Lowering the vehicle

1. Turn the relief valve clockwise to close.
2. Pump the lever to lift the vehicle off the axle stands.
3. Remove the axle stands. Do not go under the vehicle and do not allow anyone else to go under the vehicle while lowering it.
4. Slowly turn the relief valve counterclockwise to lower the vehicle.



7. Inspection

The product must be maintained according to the product instructions. No modifications may be made to this product.

1. Before use, visually inspect the jack for abnormal conditions such as cracked welds, leaks, bent or worn parts, or hydraulic leakage.
2. Inspections must be carried out in accordance with this manual.
3. The jack must be inspected immediately if it is believed to have been subjected to abnormal loads or shocks. It is recommended that this inspection be carried out by an authorized service center.

8. Maintenance

Monthly maintenance is recommended. Lubrication is essential for the jack to operate under heavy load. Contamination by dirt, rust, etc., can lead to slow operation or even very rapid leakage by damaging internal components of the jack. Follow the guidelines below:

- Lubricate the cylinder, couplings, saddle, and pump mechanism with light oil.
- Visually inspect for cracked welds, bent, loose, or missing parts, or hydraulic leaks.
- If the jack has been subjected to abnormal loads or shocks, take it out of service and have it inspected by an authorized service center before use.
- Clean all surfaces and ensure that all labels and warnings remain intact.
- Check and maintain the cylinder oil level.
- Check the cylinder every 3 months for signs of rust or corrosion. Clean if necessary and wipe with an oiled cloth.

When the jack is not in use, lower the saddle and cylinder completely. Always store the jack in the fully lowered position to protect critical components from excessive corrosion. Do not use brake or transmission fluids or regular motor oil, as these can damage the seals. Always use products suitable for hydraulic jacks.

9. Check oil level

1. Turn the relief valve counterclockwise to lower the cylinder fully. It may be necessary to apply pressure to the saddle to lower it fully.
2. With the jack in the low position, remove the oil filler cap. Place the jack upright with the lever holder facing downwards. The oil level must reach the bottom of the filler opening. If not, top up. Do not fill above the maximum level. Always use new, clean hydraulic oil. **(Hydraulic oil - CH68)**
3. Replace the filler cap.
4. Check the operation of the jack.
5. Bleed the system if necessary.

10. Problem solving

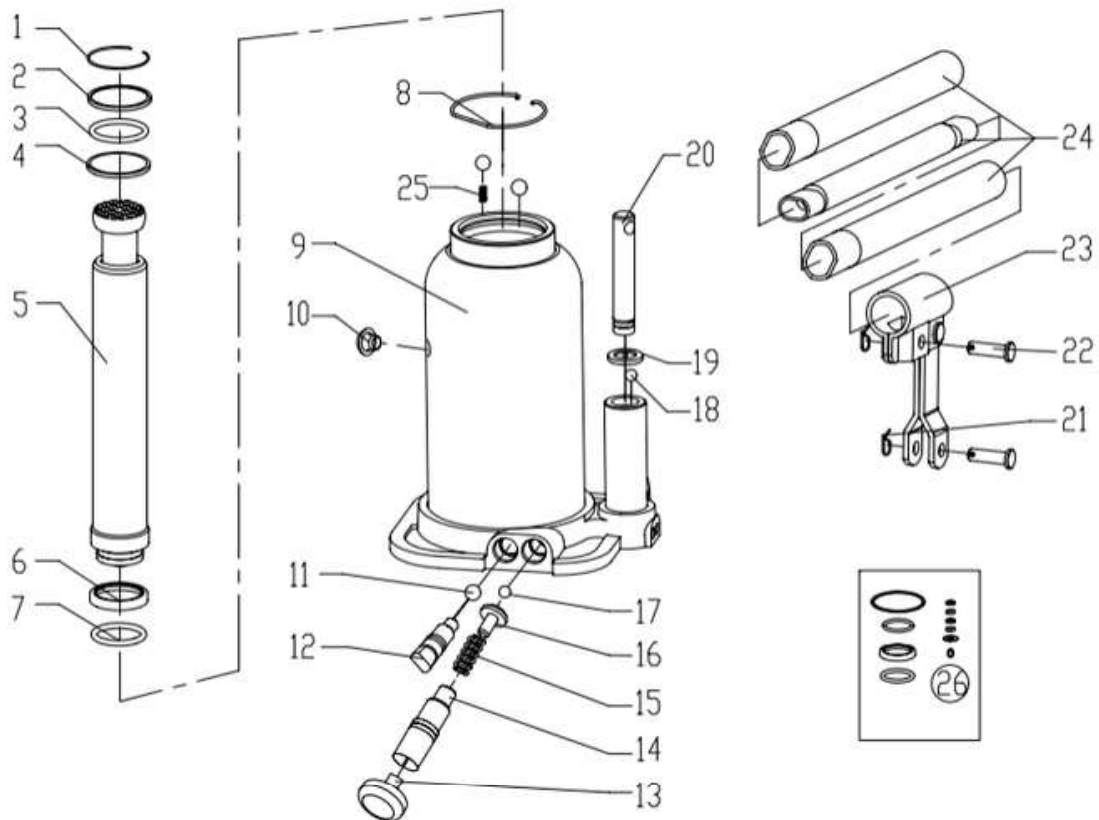
10.1 Bleed the system:

1. Turn the relief valve one full turn counterclockwise to open.
2. Pump the handle with full strokes.
3. Turn the relief valve clockwise to close.
4. Pump the handle until the cylinder reaches the maximum height, and then pump a few more times to remove trapped air.
5. Open the oil filler cap carefully and slowly to allow trapped air to escape.
6. Turn the relief valve one full turn counterclockwise to open it and lower the cylinder completely. Apply force if necessary.
7. Close the relief valve clockwise and check if the pump is operating correctly. It may be necessary to repeat the above steps several times to ensure that all air has been removed.

10.2 Troubleshooting - Overview

Problem / Complaint	Possible Cause	Solution
Jack does not lift / does not hold / lifts poorly	Release valve open	Turn valve clockwise (close)
Jack does not lift	Overloading	Reduce load
Jack does not lift / lifts poorly	Air in system	Bleed the system
Jack does not lift / does not hold / lifts poorly / does not reach max height	Low oil level	Refill oil
Jack does not lower	Too much oil	Drain excess oil
Jack does not lower	Blockage or contamination	Remove obstruction

11. Parts



11.1 Parts List

No.	Code	Description	Qty
1	PBJ08H01-01	Rounwire snap ring	1
2	PBJ08H02-02	Rectangular ring	1
3	PBJ08H03-03	O-Ring	1
4	PBJ08H04-04	Rectangular ring	1
5	PBJ08H05-05	Ram assembly	1
6	PBJ08H06-06	Bowl washer	1
7	PBJ08H07-07	O-Ring	1
8	PBJ08H08-08	Roundwire snap ring	1
9	PBJ08H09-09	Base welding parts	1
10	PBJ08H10-10	Oil plug	1
11	PBJ08H11-11	Steel ball bearing Ø6mm	3
12	PBJ08H12-12	Release valve assembly	1
13	PBJ08H13-13	plastic plug	1
14	PBJ08H14-14	Safety valve	1
15	PBJ08H15-15	Spring	1
16	PBJ08H16-16	Spring holder	1
17	PBJ08H17-17	Steel ball bearing Ø3mm	1
18	PBJ08H18-18	Steel ball bearing Ø5mm	1
19	PBJ08H19-19	Bowl washer	1
20	PBJ08H20-20	Pump plunger assembly	1
21	PBJ08H21-21	Reusable cotter pin	2
22	PBJ08H22-22	Pin	2
23	PBJ08H23-23	Handle socket assembly	1
24	PBJ08H24-24	Handle assembly	1
25	PBJ08H25-25	Spring	1
26	PBJ08H26-26	Seal kit	1

12. Warranty terms and conditions

Warranty Terms and Conditions

1. This warranty shall enter into force on the date stated on the original purchase invoice and shall remain valid for a period of twelve (12) months.
2. This warranty is non-transferable unless prior written consent has been obtained from the supplier.
3. Warranty claims will not be accepted without presentation of the original purchase invoice.
4. This warranty shall apply exclusively provided that the product has been used in full compliance with the instructions contained in the user manual and solely for its intended purpose.
5. No alterations, modifications, or technical changes may be made to the product.
6. This warranty shall be void in the event of improper, negligent, or incorrect use of the product.
7. Transportation, shipping, and related costs are expressly excluded from this warranty.
8. Any repair work must be carried out exclusively by the supplier or an authorised service partner. Repairs performed by unauthorised third parties shall immediately void all warranty rights.
9. Repairs performed during the warranty period shall not result in an extension of the original warranty period. However, a separate warranty period of three (3) months shall apply to the repaired components, provided that the original warranty period has expired.
10. All maintenance and servicing operations described in the user manual must be performed in a timely and proper manner. Failure to do so may result in the warranty becoming void.
11. Warranty claims may only be submitted to the original point of sale at which the product was purchased.

EU Declaration of conformity – Konformitätserklärung - Declaration de conformite

Wij, Valkenpower BV, Haverkamp 11, 6051 AC Maasbracht, Nederland, verklaren geheel onder eigen verantwoordelijkheid dat het product

We, Valkenpower BV, Haverkamp 11, 6051 AC Maasbracht, Nederland, declare under our sole responsibility that the product described below

Wir, Valkenpower BV, Haverkamp 11, 6051 AC Maasbracht, Nederland, erklären in alleiniger Verantwortung, dass das nachfolgend beschriebene Produkt

Nous, Valkenpower BV, Haverkamp 11, 6051 AC Maasbracht, Nederland, déclarons sous notre seule responsabilité que le produit décrit ci-dessous

Type	Beschrijving	Merk
Model	Description	Brand
Art	Beschreibung	Marke
Type	Description	Marque
BJ08H	Potkrik 8 ton	Mammuth
BJ08H	Pot jack 8 ton	Mammuth
BJ08H	Topfheber 8 ton	Mammuth
BJ08H	Cric de pot 8 ton	Mammuth

Voldoet aan de bepalingen van de volgende richtlijnen; Complies with the provisions of the following directives; entspricht den Bestimmungen der folgenden Richtlinien; se conforme aux dispositions des directives suivantes

De machinerichtlijn:Following the provisions of the following Directives:Gemäß den Bestimmungen der Richtlinie:Conformément aux dispositions de la Directive:
2006/42/EG

Waarop deze verklaring betrekking heeft, in overeenstemming zijn met de volgende normen:

To which this declaration relates is in conformity with the following Directives:

Auf dem sich diese Erklärung bezieht, mit dem folgendem Dokument übereinstimmt:

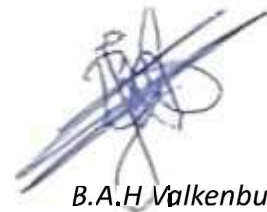
Auquel se réfère cette déclaration est conforme à le document suivant:

Normen: **EN 1494:2000+A1:2008**

Serienummer:

Serial number:

Directeur Valkenpower



B.A.H Valkenburg

Nederland, Maasbracht, 03-12-2025