



User Manual

Degreaser Tray 13Ltr

Type PW03E



Read this manual carefully before using Degreaser Tray.

Table of contents	Page
1. Keeping the user manual	3
2. Safety instructions	4
3. Environment & disposal	4
4. Specifications	4
5. Symbols	5
6. Application	6
7. Montage	6
8. Use	6
9. Fire safety	7
10. Parts	7
11. Parts list	8
12. Maintenance	9
13. Troubleshooting and solutions	9
14. Guarantee	10
15. EC Declaration	11

1. Keep the user manual

Please keep this manual in a safe place. The information in this document may be necessary for installation, use, maintenance or troubleshooting.

Keep this manual readily available for future reference. This manual contains important safety instructions and legal information.

Keep this document for the entire life of the product. Always include the manual when reselling, transferring, or moving the product.

It is mandatory to keep this user manual in a centrally accessible location. Employees who work with this product must have access to the most recent version of this documentation at all times.



Dispose of electrical appliances in an environmentally friendly manner. Do not dispose of electrical appliances in household waste. In accordance with European Directive 2012/19/EU on electronic equipment, they must be collected separately for recycling. Contact your local authorities for available disposal options for your worn-out appliance.

© 2025 Mammuth All rights reserved. No part of this publication may be reproduced, stored in a retrieval system, or transmitted in any form or by any means without the express prior written permission of the publisher, except in cases where legally permitted.

2. Safety instructions

⚠ Warning: Keep the work area clean and tidy at all times. A cluttered work area or workbench increases the risk of accidents. Spilled degreaser must be cleaned up immediately.

- Familiarize yourself with the machine's applications, limitations, and specific potential hazards. Read the entire operator's manual carefully and familiarize yourself with it.
- Always wear appropriate protective clothing, gloves, and safety glasses that meet the latest European safety standards. Regular glasses do not provide adequate eye protection.
- Remove any spilled degreaser from your skin immediately. Consult a doctor immediately if necessary.
- Always carefully follow the degreaser manufacturer's instructions.
- Before use, check the machine for damage. Any damaged parts should be inspected to ensure they are functioning properly and can perform their intended function. Damaged parts should be repaired or replaced appropriately. If in doubt, do not use the machine and contact your local dealer.
- Always disconnect the degreaser from the power supply before carrying out any maintenance or cleaning work.
- Always keep your work area clean and tidy. A cluttered workspace or workbench increases the risk of accidents. Spilled degreaser should be cleaned up immediately.

Important

The spring/lid system is designed to hold the hood open during use.

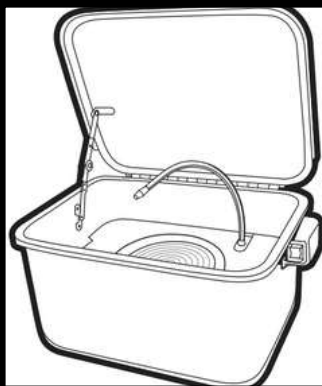
- Always close after use.
- **Prohibited:** leaving the degreaser container open unattended.

Caution! The degreaser tray is intended for cleaning/degreasing parts with a suitable (preferably water-based), non-aggressive cleaning fluid with a flash point above 66.5°C. The fluid is circulated via a pump and nozzle/outlet.

3. Environment & disposal

Dispose of used degreasing agents according to applicable environmental regulations. Do not discharge into sewers.

4. Specifications

Product name: PW03E	
<ul style="list-style-type: none">• AC 230V/50Hz	
<ul style="list-style-type: none">• Maximum pump capacity @ outlet: 2.7-3.3L/MIN	

5. Symbols



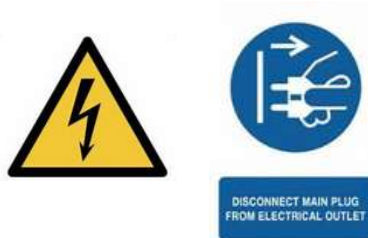
Mandatory: Wear gloves and safety glasses



Mandatory: Use ventilation / extraction
Warning of dangerous fumes



No smoking or open flames in the area



Warning for electricity
Unplug the power cord



General warning
Prevent overload

6. Application

Suitable for:

Workshops and maintenance areas

- Cleaning metal parts
- Removing oil, grease and dirt

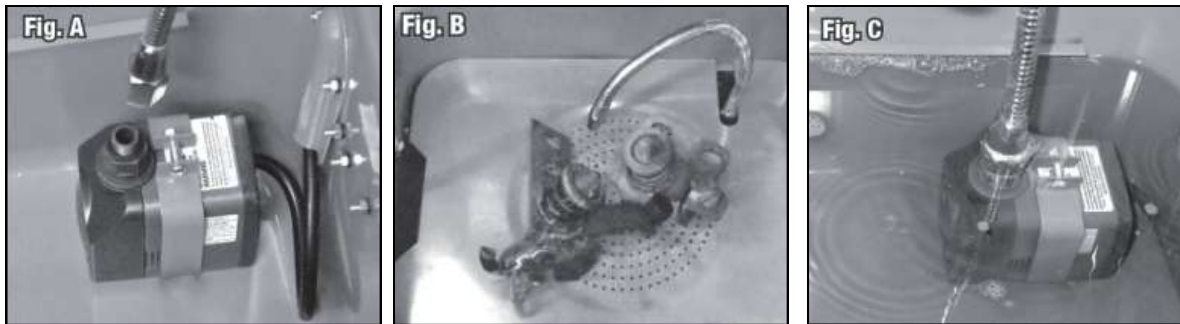
Not suitable for:

Flammable or explosive liquids

- Strongly corrosive agents
- Plastics that cannot withstand degreaser

7. Montage

1. Screw the flexible metal fluid outlet tube onto the pump outlet fitting (Fig. A).
2. Place the parts cleaning tray over the ledges on the tray walls. Make sure the nozzle of the flexible metal "gooseneck" fluid outlet tube is shaped so that it points inward and downward, toward the center of the tray (Fig. B).
3. Fill the unit with a suitable water-based degreasing solution, enough to cover the entire pump (approximately 3.5 gallons) (Fig. C).



Important notes:

- Before using the degreasing solution, carefully follow the mixing, usage, and safety instructions on the label.
- Make sure the detergent level completely covers the pump, otherwise it will not work properly.
- Connect the power cord to an approved, grounded, earthed electrical outlet with a Ground Fault Circuit Interrupter (GFI). 230V/50Hz (120V/60Hz).
- Turn the power switch to "On." The parts cleaner is now ready for use.

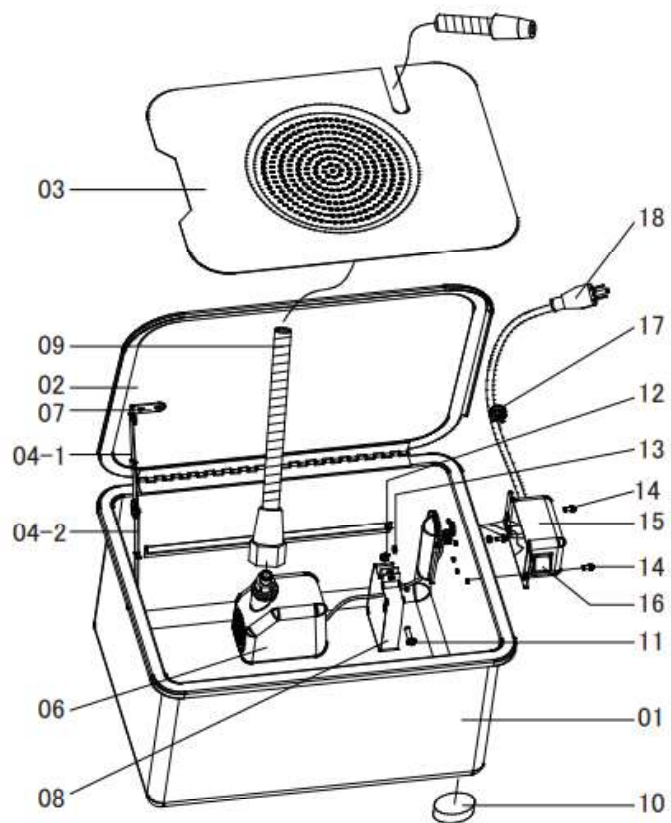
8. Use

1. Open the lid.
2. Place the part in the degreaser tray.
3. Turn the switch to ON.
4. Clean the part with the flexible rinse hose.
5. Let the liquid drain back into the container
6. Turn the switch to OFF after use.
7. Close the lid.
8. Clean up spilled liquid immediately.

9. Fire safety

- The lid holder contains a fuse that will close the lid in the event of a fire. This fuse is not resettable and must be replaced after activation.
- Do not place the unit near open flames, sparks or other flammable conditions.
- Closing the lid can limit the spread of fire.
- Make sure that appropriate fire extinguishing equipment is available at the degreaser tank.
- Close the lid after each use.

10. Parts



- | | |
|---------------------------------|-------------------|
| 1. Tank | 10. Plastic foot |
| 2. Lid | 11. M5x30 screw |
| 3. Worksheet | 12. M5 nut |
| 4. 1 Top hinge fuse | 13. Cover |
| 4.2 Lower hinge fuse | 14. M4x12 screw |
| 6. Pump | 15. Switch box |
| 7. Klinknagel | 16. Switch |
| 8. Pump bracket | 17. Wooden crates |
| 9. Flexible metal pouring spout | 18. Power cord |

11. Parts list

1.	PPW03E-01	Tank
2.	PPW03E-02	Lid
3.	PPW03E-03	Worksheet
4.1	PPW03E-04.1	Top hinge fuse
4.2	PPW03E-04.2	Lower hinge fuse
6.	PPW03E-06	Pomp
7.	PPW03E-07	Rivet
8.	PPW03E-08	Pompbeugel
9.	PPW03E-09	Flexible metal pouring spout
10.	PPW03E-10	Plastic foot
11.	PPW03E-11	M5x30 screw
12.	PPW03E-12	M5 nut
13.	PPW03E-13	Cover
14.	PPW03E-14	M4x12 screw
15.	PPW03E-15	Switch box
16.	PPW03E-16	Switch
17.	PPW03E-17	Wooden crate loading
18.	PPW03E-18	Power cord

12. Maintenance

- Unplug the pump and check the pump inlet screen after every hour of cleaning (Fig. D). Clean more often if there is excessive grease and dirt buildup.



Important Note: Failure to clean the pump inlet will result in reduced fluid flow, lower cleaning effectiveness, and ultimately pump motor failure.

If it becomes apparent that the pump suction screen needs to be cleaned more often, it is likely that the cleaning fluid needs to be replaced and that sediment has built up from the bottom of the tub. Drain the drain and pour the cleaning fluid into suitable containers. Then dispose of it properly.

13. Troubleshooting and solutions

Fault	Cause	Solution
Pump not working	No tension	Check plug/fuse
Poor cleaning	Fluid contaminated	Replace fluid
Leakage	Drain plug loose	Tighten

14. Warranty

Warranty Terms and Conditions

1. This warranty shall enter into force on the date stated on the original purchase invoice and shall remain valid for a period of twelve (12) months.
2. This warranty is non-transferable unless prior written consent has been obtained from the supplier.
3. Warranty claims will not be accepted without presentation of the original purchase invoice.
4. This warranty shall apply exclusively provided that the product has been used in full compliance with the instructions contained in the user manual and solely for its intended purpose.
5. No alterations, modifications, or technical changes may be made to the product.
6. This warranty shall be void in the event of improper, negligent, or incorrect use of the product.
7. Transportation, shipping, and related costs are expressly excluded from this warranty.
8. Any repair work must be carried out exclusively by the supplier or an authorised service partner. Repairs performed by unauthorised third parties shall immediately void all warranty rights.
9. Repairs performed during the warranty period shall not result in an extension of the original warranty period. However, a separate warranty period of three (3) months shall apply to the repaired components, provided that the original warranty period has expired.
10. All maintenance and servicing operations described in the user manual must be performed in a timely and proper manner. Failure to do so may result in the warranty becoming void.
11. Warranty claims may only be submitted to the original point of sale at which the product was purchased.

15. EG-verklaring

***EG-verklaring van overeenstemming - Declaration of conformity –
Konformitätsverklärung - Declaration de conformite - Dichiarazione di
conformita- Declaracion de conformidad***

Wij, We,Wir,Nous,**Valkenpower BV, Haverkamp 11, 6051 AC Maasbracht, Nederland**, verklaren geheel onder eigen verantwoordelijkheid dat de producten, declare under our sole responsibility that the products, erklären in voller eigener Verantwortung, dass die Produkte, déclarons sous notre entière responsabilité que les produits

Type Model Art Type	Beschrijving Description Beschreibung Description	Merk Brand Marke Marque
PW03E	Ontvetterbak 13 ltr	Mammuth
PW03E	Degreasing tank	Mammuth
PW03E	Entfettungswanne	Mammuth
PW03E	Cuve de dégraissage	Mammuth

Waarop deze verklaring betrekking heeft, in overeenstemming zijn met de volgende normen: To which this declaration relates, are in conformity with the following standards: Auf die sich diese Erklärung bezieht, den folgenden Normen entsprechen: Auxquels la présente déclaration se rapporte, sont conformes aux normes suivantes

De machinerichtlijn: Following the provisions of Directive: Gemäß den Bestimmungen der Richtlinie: Conformément aux dispositions de la Directive:
2006/95/EG

Directeur Valkenpower



B.A.H Valkenburg

Nederland, Maasbracht, 05-04-2018